



medifa 2000

Multifunctional
Tables



we care.

medifa 2000

- Ergonomic and modern design
- Optimal foot space because of Y-base construction
- Optimal cleaning and disinfection
- User-friendly foot switch conception
- Safety engines against wedge and squeezing hazard
- Electric adjustment of head part as standard function
- Single or parallel movement for height adjustment columns
- Anti- / Trendelenburg position available
- Accessible for handicapped and elderly people
- Various colouring possible



Functionality and Design



Height adjustment from 580 up to 980 mm



Trendelenburg adjustment from -22° up to +22°



Head section adjustment from -27° up to +40°



Back section adjustment from 0° up to +46°



Multifunctional table with two-part lying surface

Art.-no. 112802

- Electromechanical height adjustment from 580 to 980 mm
- Electromechanical head section adjustment from -27° up to +40°
- Electromechanical Trendelenburg adjustment from -22° up to +22°
- Frame colour: White (RAL 9010)
- Easy adjustment of powered functions by foot switch
- Upholstery thickness: 70 mm
- Safety load: 225 kg
- Lying surface: 1960 x 650 mm
- Floor space required: 1750 x 620 mm
- Power supply: 230 V / 50-60 Hz

Shown Accessories:

85200

Side rails

83201

Nose slit incl. filling pad



Multifunctional table with three-part lying surface

Art.-no. 112805

- Electromechanical height adjustment from 580 to 980 mm
- Electromechanical head section adjustment from -27° up to +40°
- Electromechanical Trendelenburg adjustment from -22° up to +22°
- Electromechanical back section adjustment from 0° up to +46°
- Frame colour: White (RAL 9010)
- Easy adjustment of powered functions by foot switch
- Upholstery thickness: 70 mm
- Safety load: 225 kg
- Lying surface: 1960 x 650 mm
- Floor space required: 1750 x 620 mm
- Power supply: 230 V / 50-60 Hz

Shown Accessories:

112898

Mobility white

85200

Side rails

81700

Leg holders according to Goepel Classic

81710

Artificial leather cover of leg holders in colour of upholstery

1228530

Hand grips white

	Range:	112802	112805
Height adjustment	580 - 980 mm	●	●
Trendelenburg	-22° / +22°	●	●
Head section adjustment	-27° / +40°	●	●
Back section adjustment	0° / +46°		●
Mobility		◆	◆
Safety load		225 kg	225 kg

● Electromechanical ◆ Optional

Technical Data

MPG - Class: I
 Protection Class: I
 Protection type: IP 44
 Power supply: 230 V

Upholstery

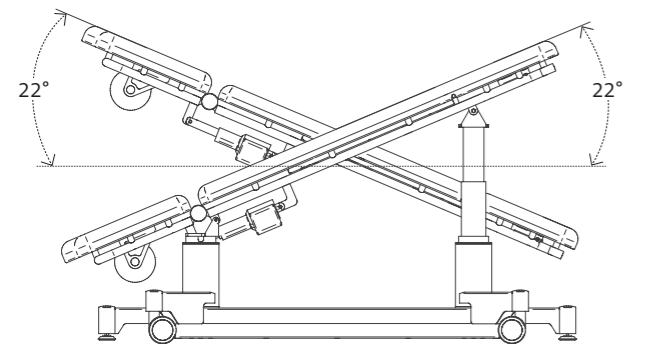
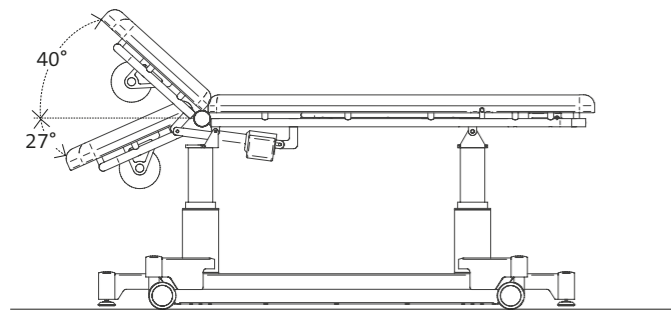
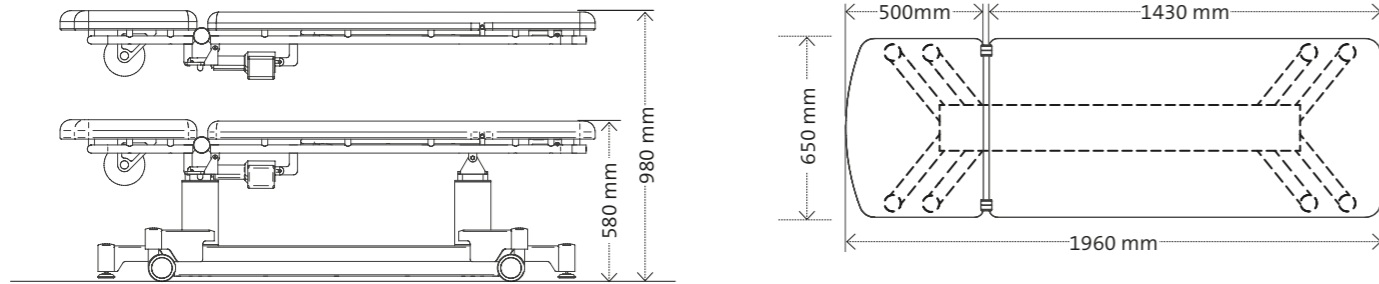
- Ergonomic implementation of cushion parts
- Rounded rough edges
- High quality artificial leather
- Seamlessly manufactured
- Optimal possibilities to clean and disinfect
- Various colourings without any extra charge
- Upholstery spacers against wedge and squeezing hazard



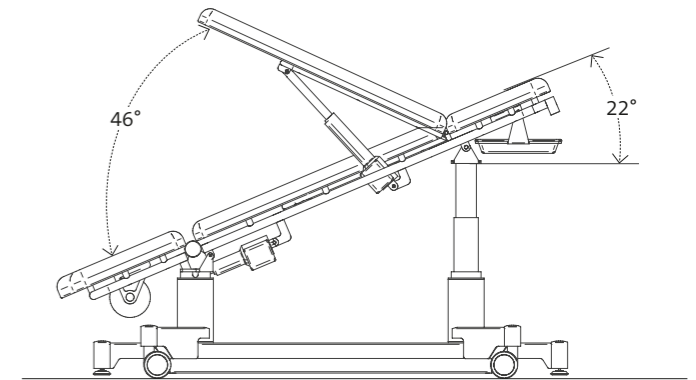
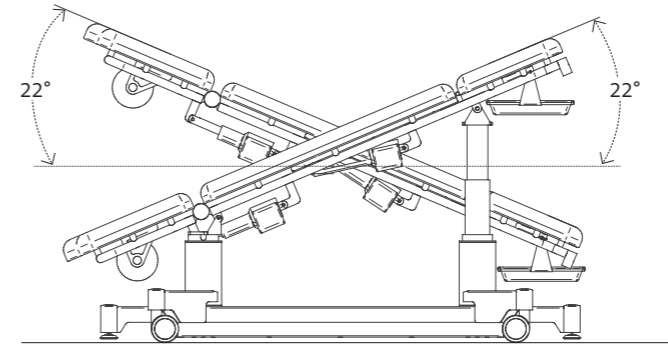
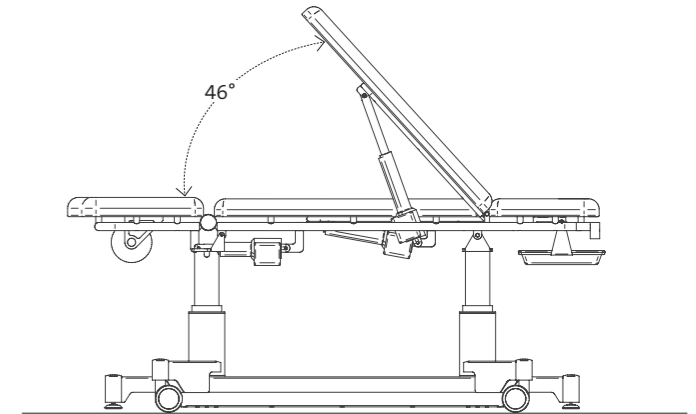
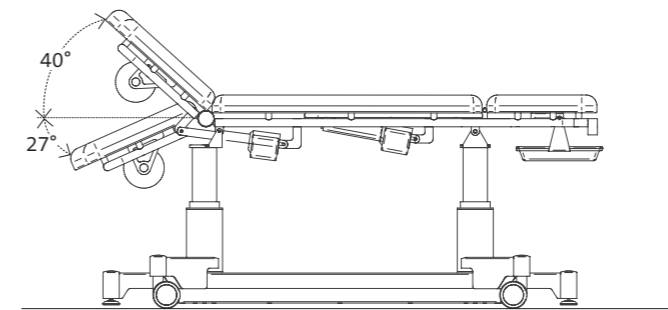
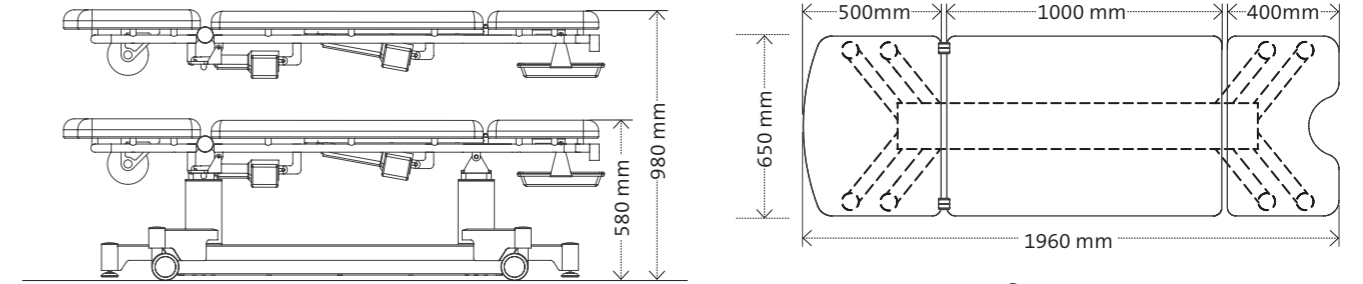
-50	-56	-63	-67	-75
White	Beige	Lime	Lemonade	Agave
-73	-61	-65	-53	-58
Apricot	Carnelian	Cherry	Pearl	Stone
-55	-62	-74	-80	-81
Dolphin	Light Blue	Atoll	Royal	Purple
-107	-83	-96		
Graphite grey	Black	Black, electrically conductive		

Technical Information

Models 112802



Models 112805



Accessories



Art.-no. 28013
Neck upholstery for attachment at back rest (model 112805)



Art.-no. 83201
Nose slit in head section, incl. filling cushion



Art.-no. 85200
Side rails for attachment of accessories, l= 600 mm, pair



Art.-no. 112898
Mobility, white RAL 9010, with four twin castors



Art.-no. 81001
Support for paper roll holder stick (in combination with 81524)



Art.-no. 81524
Paper roll holder stick, l=650 mm

Art.-no. 81800
Infusion holder, extendable, with 4 hooks and dropping glass, incl. clamp



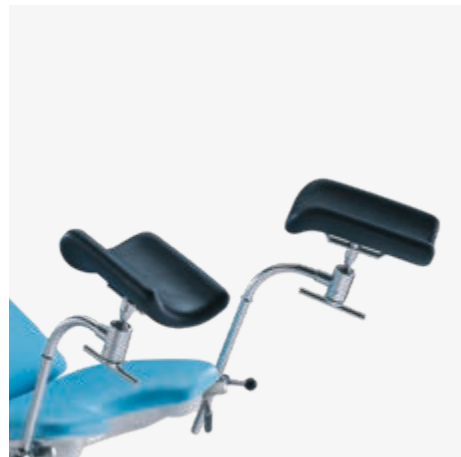
Art.-no. 1128530
Hand grips, for attachment at pelvis section (model 112805), pair



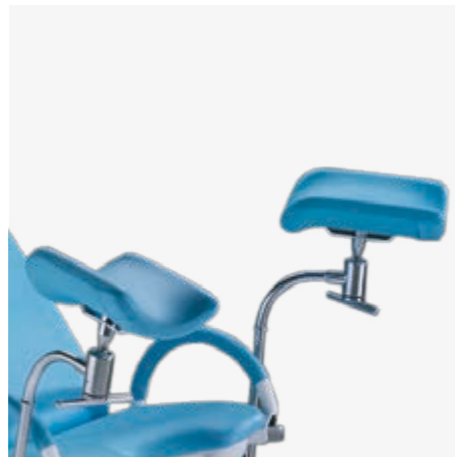
Art.-no. 28531
Covering of hand grips with artificial leather in upholstery colour, pair

Art.-no. 112899_P
Potential equalisation for connecting protective conductor

Art.-no. 112899_S
Key lock for blocking all electric functions



Art.-no. 81700
Leg holders according to Goepel Classic with black foamed PUR knee bolsters, pair, without clamps (61511)



Art.-no. 81710
Artificial leather cover of leg holders in colour of upholstery, pair



Art.-no. 61511
Clamp for fixation of accessories with round rod (18 mm), rotatable



Art.-no. 61211
Arm rest, rotatable and tiltable by means of ball joint, height adjustable, horizontally slidable, incl. clamp and fixture strap, upholstery made of PUR (H = 40 mm), L x W: 400 x 115 mm

medifa

The medifa healthcare group unites competence concerning operating rooms under one roof.

medifa is an owner-run and internationally active complete solution provider in the medical technology.

The product and service portfolio covers all operating room requirements from modular wall, door, ceiling and cabinet systems (RooSy® Room Systems) for the turnkey operating room, as well as mobile operating tables, operating table accessories and operating lights, right up to examination chairs and medical

furniture. In addition, one of the largest German OEM suppliers in the medical technology sector also belongs to medifa.

medifa GmbH & Co. KG (Finnentrop), medifa hygienic rooms GmbH (Ötigheim) and medifa metall und medizintechnik GmbH in Rastatt are all part of this group of companies. The medifa healthcare group employs approximately 350 employees at three locations within Germany. The planning, engineering and production

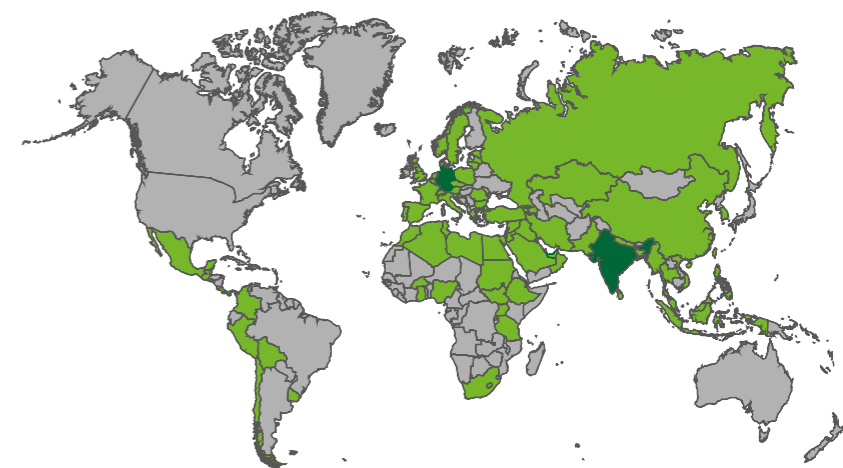
take place exclusively in Germany, and with over 90% added value in the group of companies, the group guarantees fast reaction times.

The slogan “we care” means for us that we consistently orientate ourselves according to the requirements of our customers. Customers all over the world can rely on top-class consultation, processing and quality from a single source, made in Germany according to certified national and international quality standards.

Products

- Modular operating room systems: walls, doors, ceilings and cabinets (RooSy)
- Mobile operating tables and accessories
- Operating lights
- Examination and treatment chairs
- Medical furniture and trolleys
- Customized medical solutions

medifa worldwide



we care.



Version 02-19-EN
Data subject to change without notice.

www.medifa.com

we care. Code



medifa GmbH & Co. KG

Industriestraße 5
57413 Finnentrop
Germany
fon +49 2721 71 77 -0
fax +49 2721 71 77 -255
info@medifa.com

we care.