




BNG Medical Instruments



BNG Medical has been established as a professional medical equipment company in Shenzhen, south China. We are dedicated to provide high standard neonatal care devices including infant incubator, infant radiant warmer, phototherapy lamp etc.

Our Vision

A high-tech service oriented and international BNG

Products & Solution



EcoLa series Infant Incubator



Ecosy series Infant Warmer



Ecosy930 Infant warmer

All cover parts made by plastic ABS through plastic molds

- *Advanced and comfortable design*
- *Easy for cleaning and disinfecting*
- *No rust resistance, avoid bacterial growth and cross infection in NICU*
- *With the insulation ABS plastic, protect the safety of the patient and operators*



Ecosy930 Infant warmer

Convenient for taking X-ray

*Ergonomic design head module with handle on both sides.
Can be rotated 160° both clockwise and anticlockwise*



Radiation head tilting range $\pm 30^\circ$

Support warm the patient from different angle

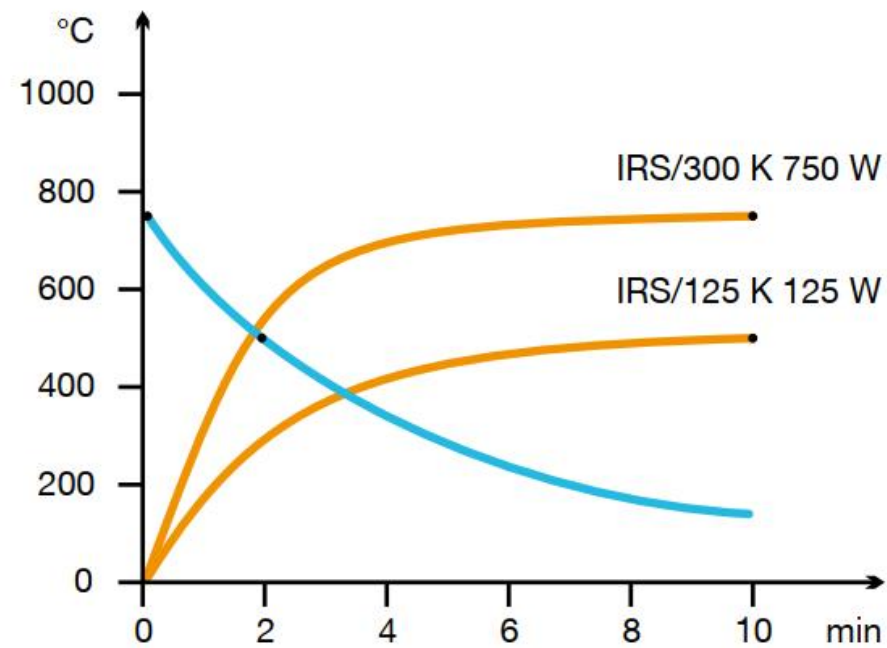


Video demonstration

Ecosy930 Infant warmer

Far infrared ceramic heating tube from ELSTEIN (Germany)

- *Long lifetime, high strength, high thermal efficiency, high penetration and low energy consumption.*
- *Good quality control, the surface porcelain not easy to take off to hurt the patients.*



Heat Performance

Ecosy930 Infant warmer

10.4 inch high-resolution LCD touch screen with rotary knob operation

Support efficiently operate the device both through the touch screen and rotary knob



Medical grade resistive screen

Easy to operate with medical rubber gloves and with sensitive responsive.



Ecosy930 Infant warmer

Examination Lamp

Integrated examination lamp will be clearly to check the baby under the dimly environment. With the adjustable illumination intensity which makes the devices more humanization and comfortable.



Video demonstration

*Power: 6W LED (2W * 3pcs) , long lifetime, high light and low power consumption.*

LED lamp Adjustable illumination intensity: 0 ~1500lux

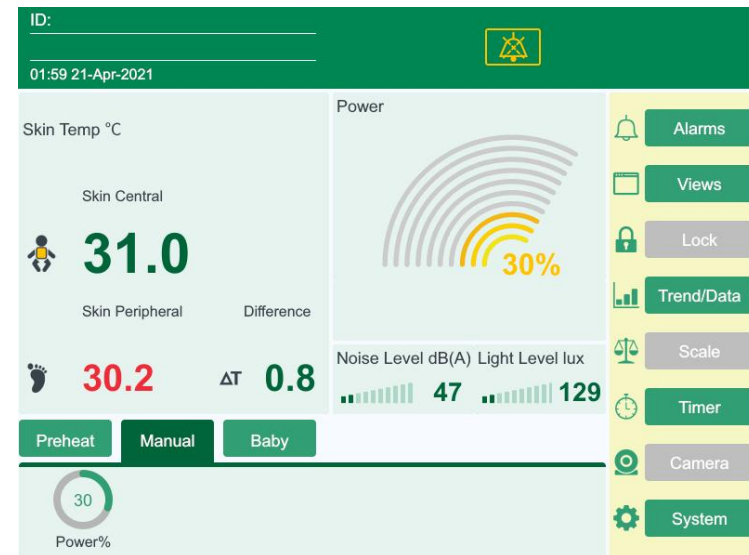
Ecosy930 Infant warmer

Temperature control modes

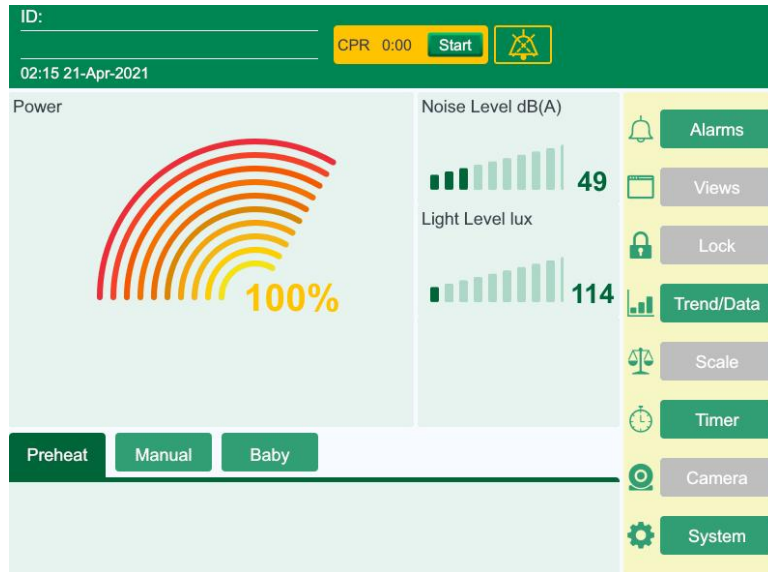
Pre-heating model

When baby is not on the mattress, the mattress can be preheated if the mattress is not hot enough.

In preheat mode, the warmer first runs at 100% heater output for 15 minutes. Then, continue to operate with 30% heater output.



Manual control mode



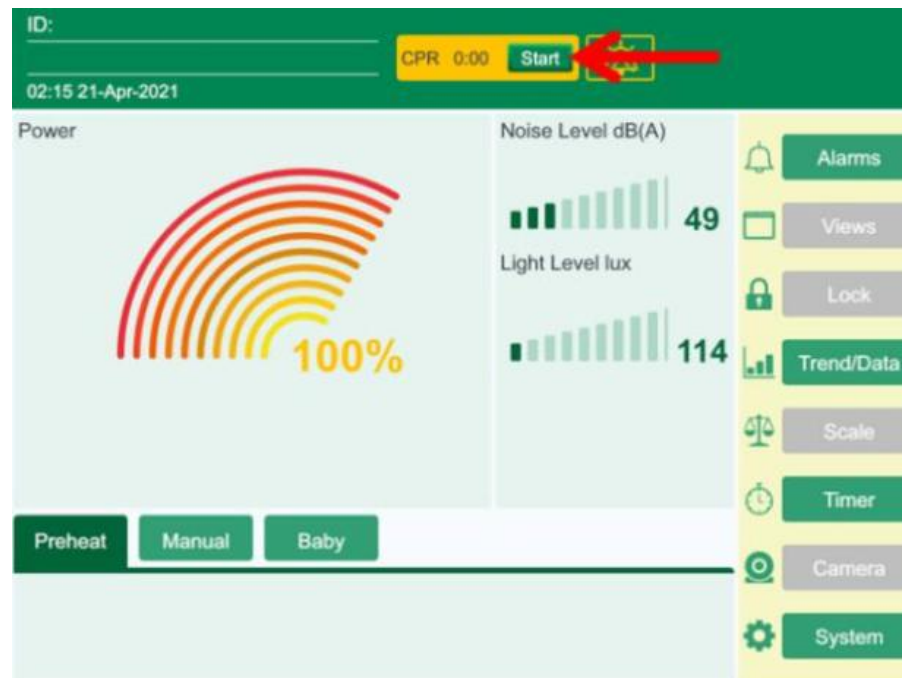
Baby control mode

Ecosy930 Infant warmer

CPR and Apgar timer

CPR Timer

- *CPR timer is used for cardiopulmonary resuscitation.*
- *The bell rings every 30 seconds, and the timer timing 6 seconds, totally twice.*
- *Users can not change the timer settings.*
- *Press Start key to start CPR timer.*
- *Press Stop key to stop and reset CPR timer.*

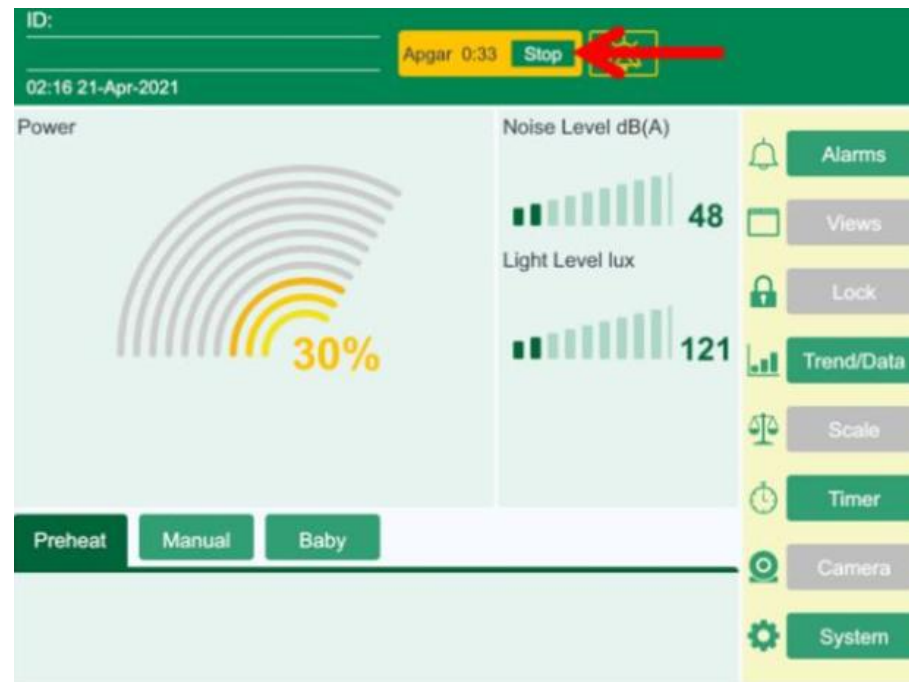


Ecosy930 Infant warmer

CPR and Apgar timer

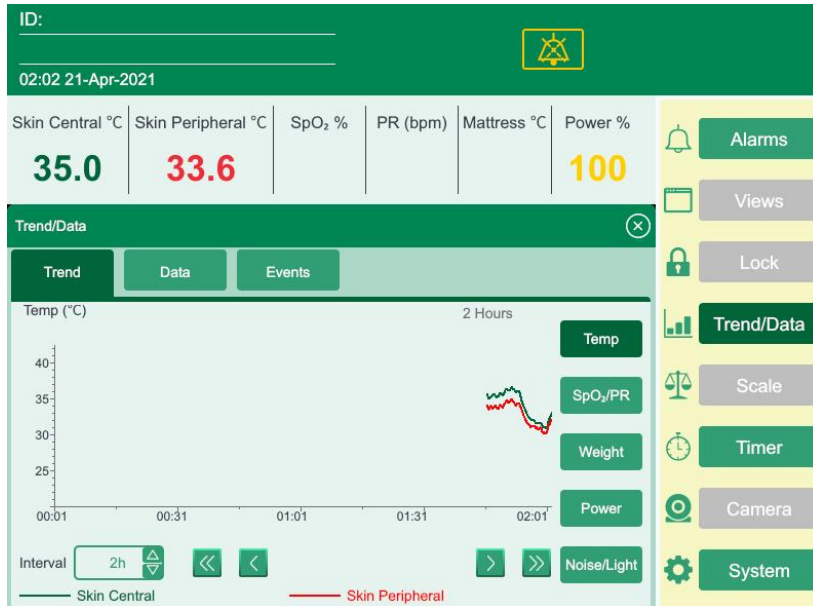
Apgar Timer

- *Apgar timer is used to check the Apgar score at birth.*
- *The bell rings at 1, 3, 5 and 10 minutes.*
- *Press Start key to start Apgar timer.*
- *Press Stop key to stop and reset Apgar timer.*



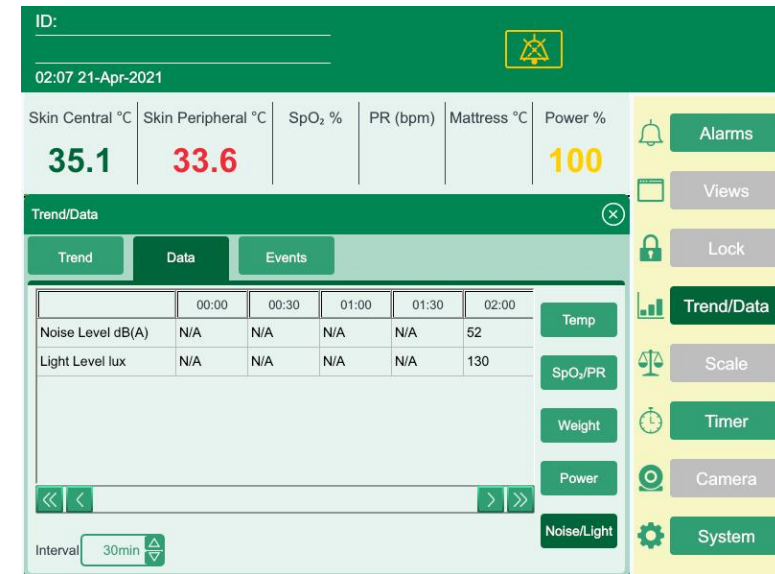
Ecosy930 Infant warmer

Trend, Data and Events review

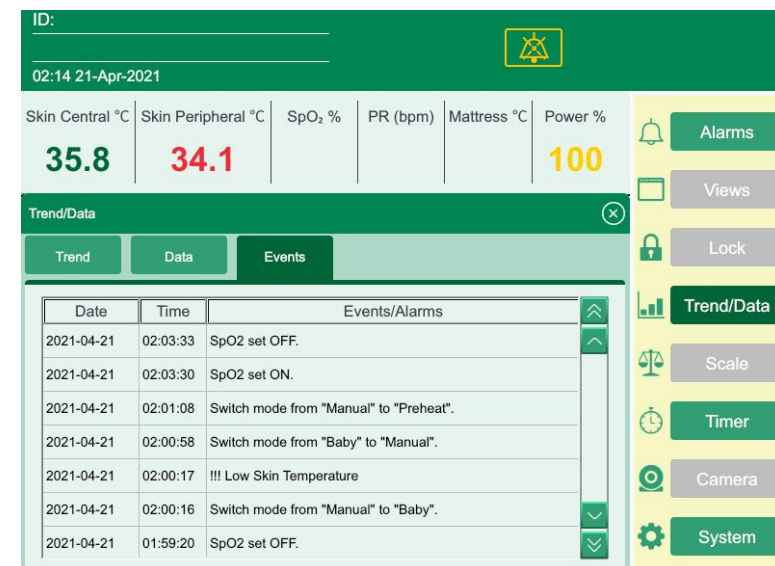


Trend review

- Trend view maximum for 48 hours
- Maximum with 3000 events



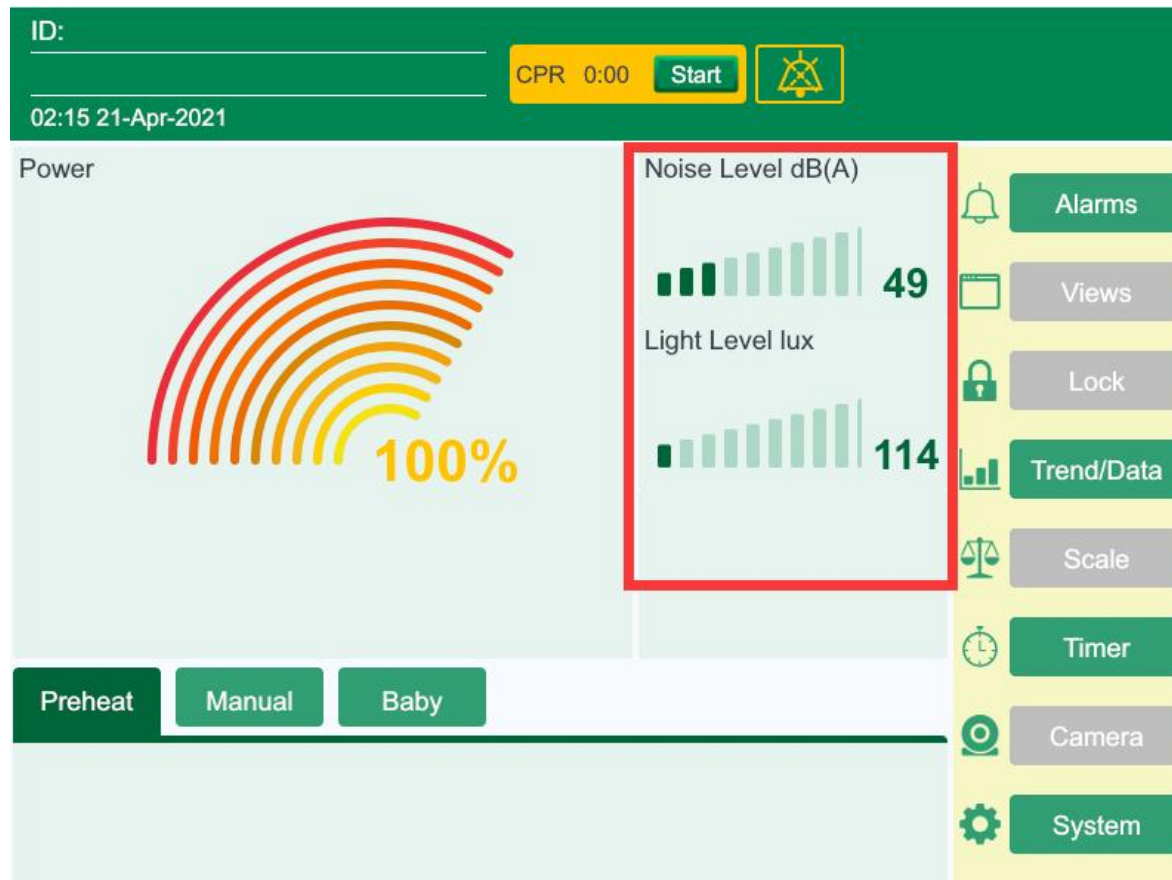
Data review



Events review

Ecosy930 Infant warmer

Noise level and ambient light real time monitoring to create a more comfortable nursing environment for babies.



Ecosy930 Infant warmer

Hand Free Alarms Silence Sensor

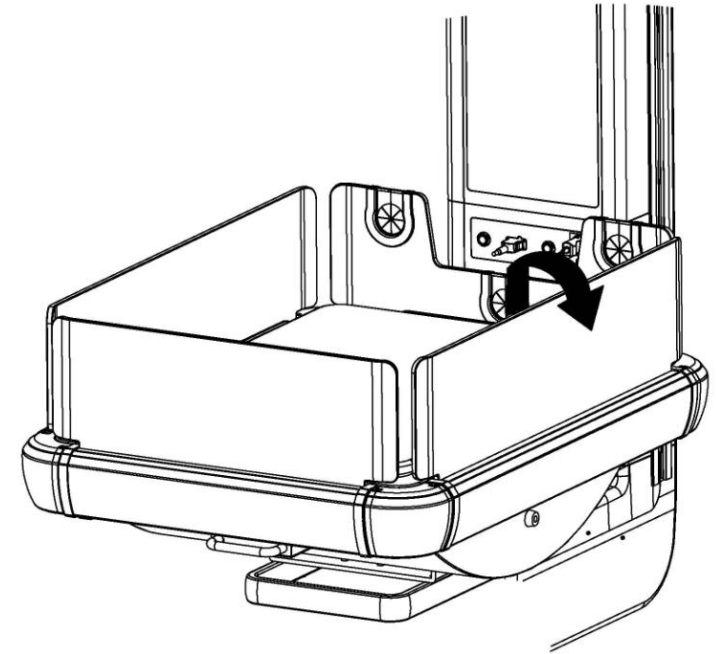
Silence the alarm sound by waving the hand in front of the sensor without touching the device. It's convenient to silence the alarms and effectively prevent the occurrence of hospital infections.



Ecosy930 Infant warmer

High Quality Transparent Guard Doors

- *Rotate damper on each sides to ensure a more quite and comfortable environment.*
- *Integrated dividing ruler on each door to measure the baby easily.*
- *Integrated silicon tubing ports.*



Ecosy930 Infant warmer

Double Sided Bed Tilting System



0~12 ° tilting angle both from up and down side



Ecosy930 Infant warmer

Auxiliary Power Output



- *To conveniently support the other devices which will be used together with the infant warmer.*
- *Each power socket with an independent set of protection fuses.*

Ecosy930 Infant warmer



- *Base support plate made by aluminum with the color zinc surface treatment technology.*
- *High strength, corrosion resistance, easy to cleaning and disinfecting.*

Ecosy930 Infant warmer



- *Medical grade castors, mute and anti-static design when moving the device.*
- *Each castors with a brake, the device can be fixed more stable on the ground.*

Ecosy930 Infant warmer

Two Skin Temperature Sensor

Two channel temperature real time monitoring and comparison, ensure a more safety treatment to the babies.



Infant central temperature



Infant peripheral temperature

Ecosy930 Infant warmer

Storage Drawers (Optional)

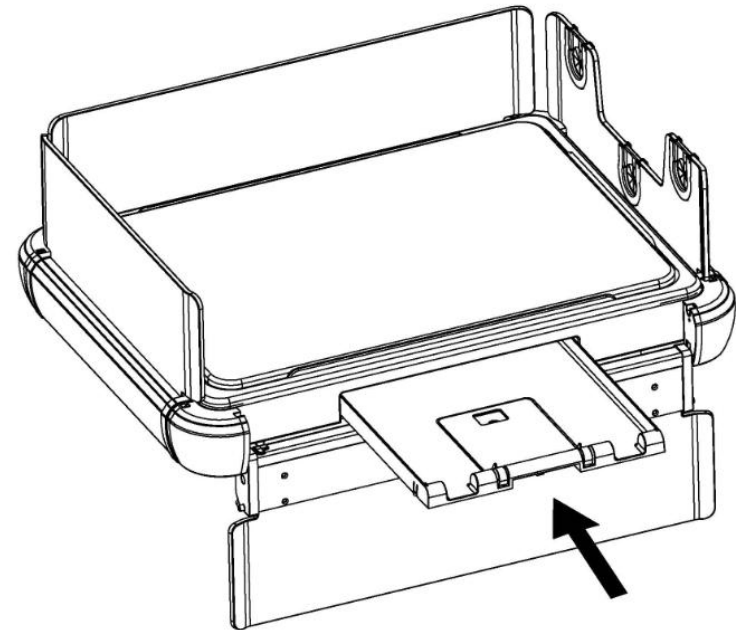
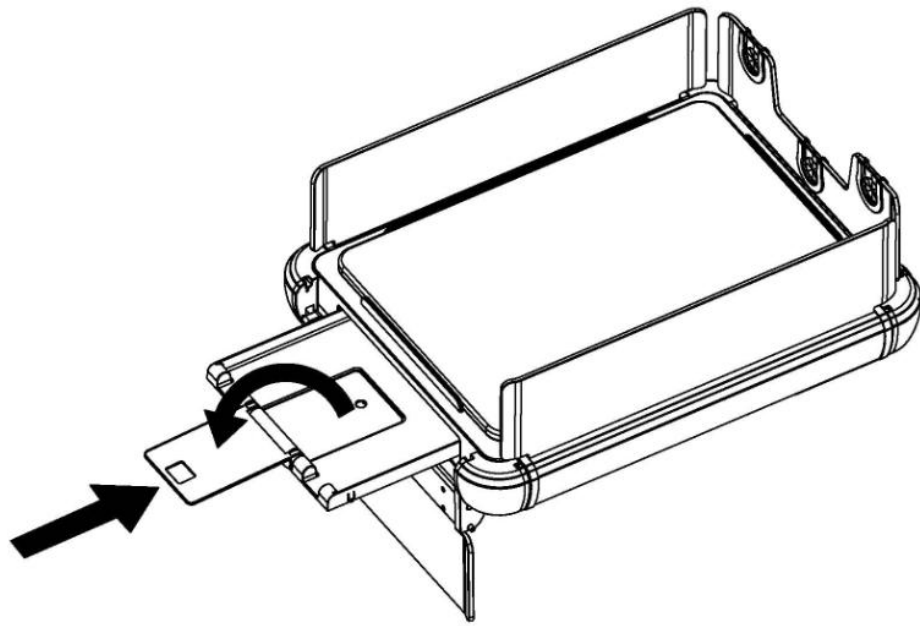


Video demonstration

- *Self-locked drawer, quiet operating*
- *Ergonomically handle design*
- *Big storage with the dimension 480mm*430mm*140mm*

Ecosy930 Infant warmer

Double Sided X-ray Cassette (Optional)



Convenient to take the X-ray from different angles without moving the baby.

Ecosy930 Infant warmer

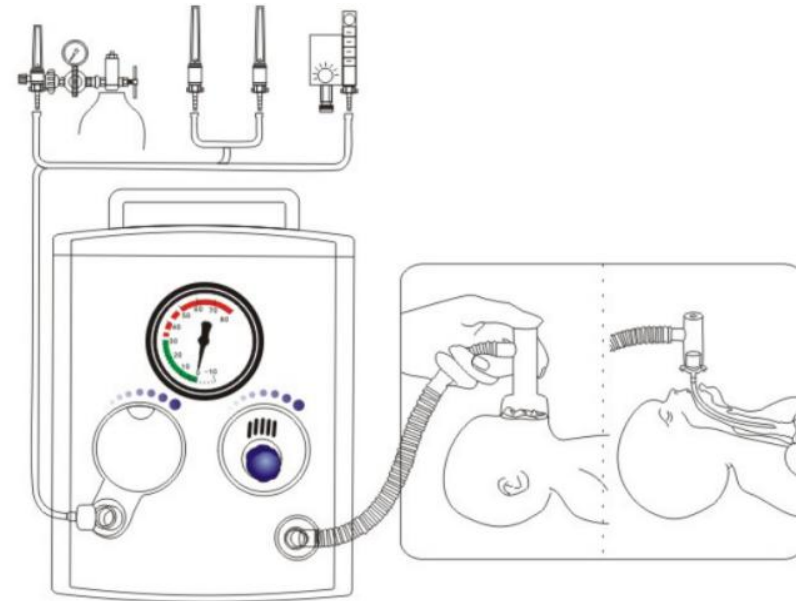
Integrated Phototherapy Lamp for jaundice treatment (Optional)



- *3.5 inch LCD TFT touch screen*
- *16 pcs super LED's and 4 pcs whiter LED's*
- *Light source without emitting heat, UV and IR*
- *Lamp lifetime around 50,000 hours*
- *Wavelength Range 400-550nm (440-460nm peak)*
- *Light Intensity $>50 \mu\text{w}/\text{cm}^2/\text{nm}$ at distance 40cm*

Ecosy930 Infant warmer

Integrated Resuscitator and Low Pressure Suction (Optional)

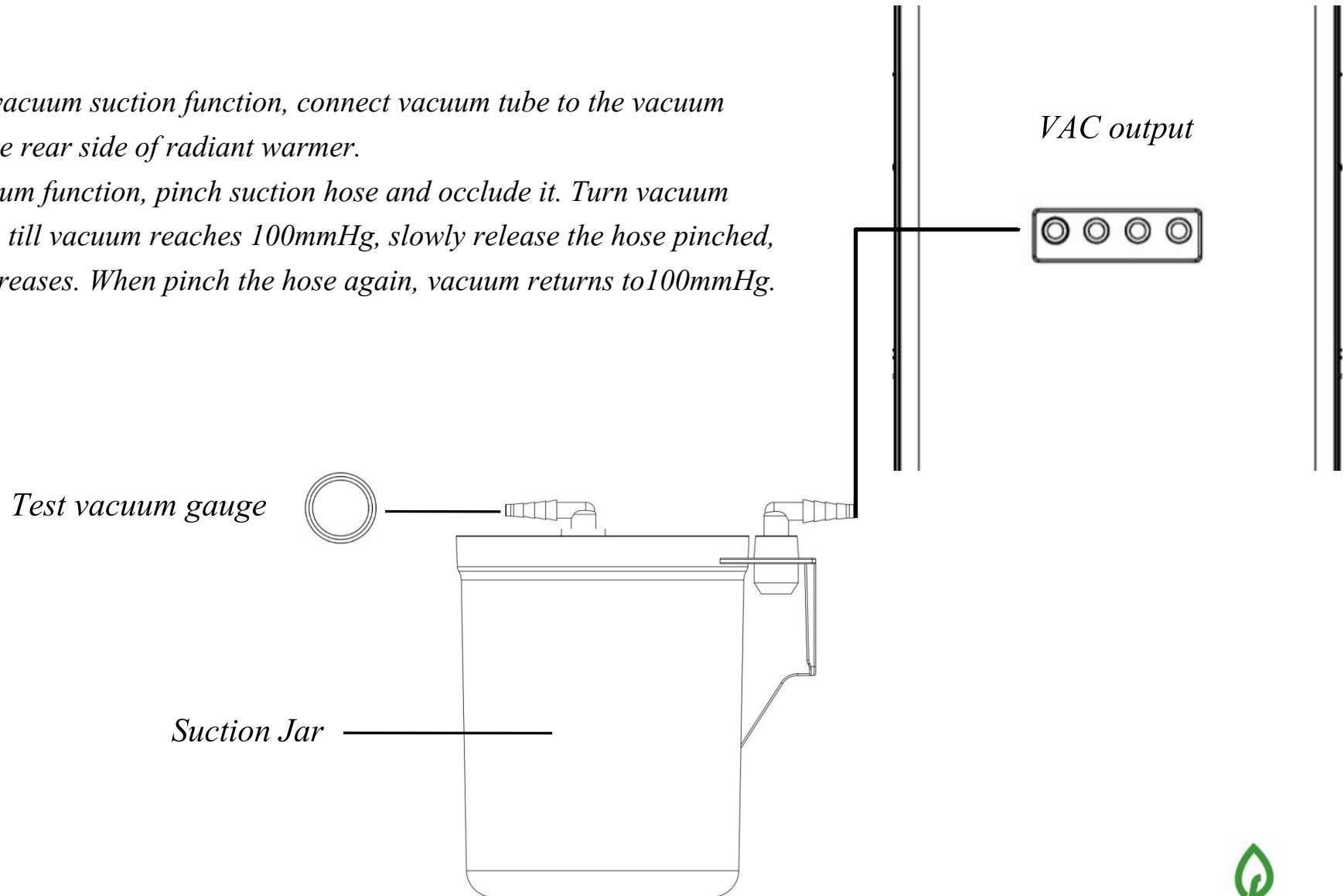


<i>Pressure gauge</i>	<i>-2-10kPa (-20~100cmH2O)</i>
<i>Pressure limit (MAX-P)</i>	<i>@0-15LPM \leq 6kPa(60cmH2O)</i>
<i>Peak Inspiratory Pressure (PIP)</i>	<i>@5-15LPM 0.2-5.7kPa(2-57cmH2O)</i>
<i>CPAP/PEEP</i>	<i>@5-15LPM 0.03-2.3kPa(0.3-23cmH2O)</i>
<i>Gas source requirements</i>	<i>0.3MPa-0.4MPa capacity greater than 100L</i>

Ecosy930 Infant warmer

Integrated Resuscitator and Low Pressure Suction (Optional)

- *Before use vacuum suction function, connect vacuum tube to the vacuum output on the rear side of radiant warmer.*
- *Switch vacuum function, pinch suction hose and occlude it. Turn vacuum setting knob till vacuum reaches 100mmHg, slowly release the hose pinched, vacuum decreases. When pinch the hose again, vacuum returns to 100mmHg.*



Ecosy930 Infant warmer

Integrated Spo2 module (Optional)

The screenshot displays the main control interface. At the top, it shows the ID field and the date/time: 25-Jan-2022 07:27:59. The central area features a large display for Skin Temp °C, with Central at 33.5 and Peripheral at 33.5, and a Difference of 0.0. Below this are Noise Level dB(A) and Light Level lux. A red box highlights the SpO₂ % (96), PR bpm (190), and Pleth (Normal) section. At the bottom, there are buttons for Preheat, Manual, and Baby, and a Power% indicator showing 30%.

This screenshot shows the configuration menu for the SpO₂ module. The top bar displays the ID field and the date/time: 25-Jan-2022 07:28:26. Below this, there are fields for Central °C (33.6), Peripheral °C (33.6), SpO₂ %, PR (bpm), Mattress °C, and Power % (30). The SpO₂ tab is selected and highlighted with a red box. The configuration options include SpO₂ Alarm (ON), SpO₂ High Limit (100), SpO₂ Low Limit (90), PR Alarm (ON), and PR High Limit (180). Other settings like PR Low Limit (100), Fast Sat (ON), Sensitivity (Normal), Average Time (8), and Signal IQ (ON) are also visible.

Measurement & alarm range	1~100%
Resolution	1%
Accuracy	$\pm 3\%$ (70-100%, Neo, non-motion)
Alarm range	0~100%
Pulse rate	Range: 25~240bpm
	Resolution: 1bpm
	Accuracy: $\pm 3\text{bpm}$ (non-motion)

Ecosy930 Infant warmer

Air and O2 blender (Optional)



- *Oxygen concentration adjustment from 21% to 100%*
- *Flow adjustment from 0LPM~1.0LPM and from 0LPM~10LPM*
- *Air/O2 supply from 0.3MPa ~ 0.4MPa*

Ecosy930 Infant warmer

Baby Bed Height Adjustment (Optional)



- *IP54 protect level*
- *Maximum load 2000 N*
- *Noise level around 48dB*
- *Anodised aluminum surface, rust resistance*
- *3 level lifting module, maximum lifting height 30cm*

Ecosy930 Infant warmer

Humanized Packaging Design

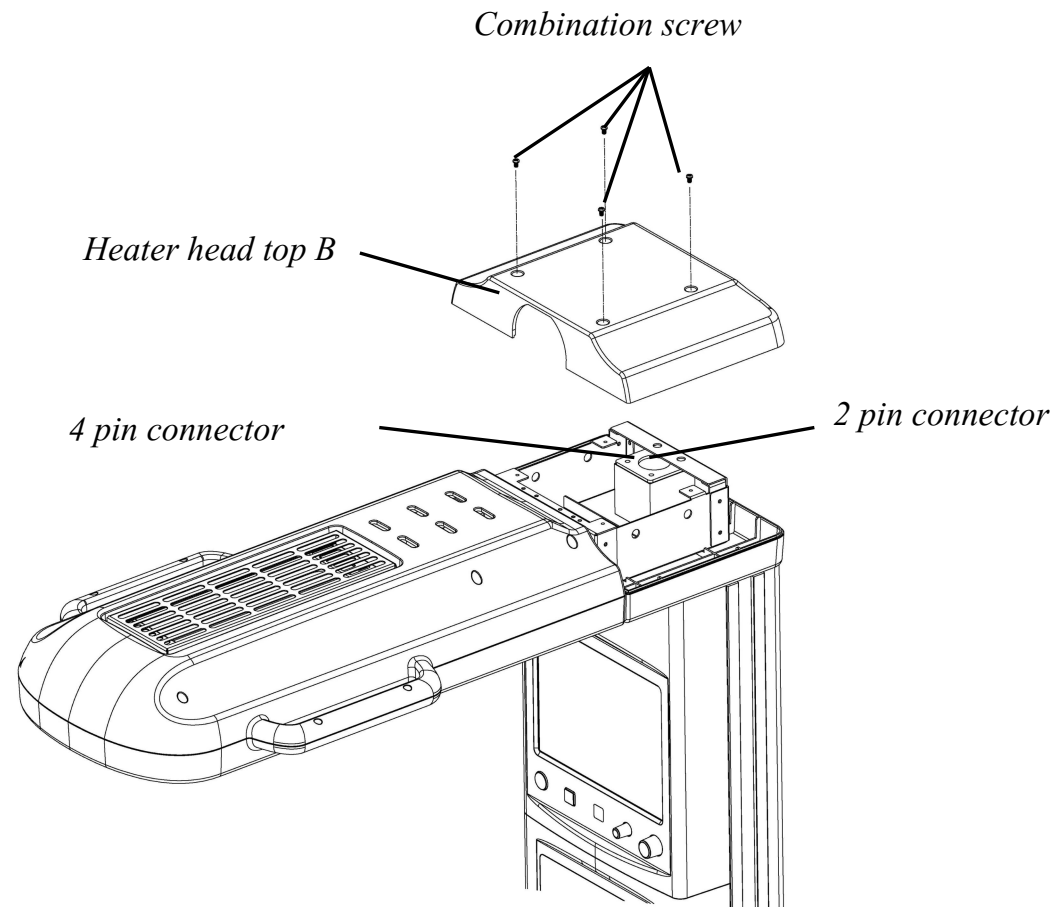
Split packaging design, transportation is more safer and saving freight costs.



#	Description	Volume
1	Ecosy930 complete device	1.470 m ³
2	Ecosy930 SKD (Head module, Supporting Column, Baby bed)	0.748 m ³
3	Ecosy930 Main body (Head module, Supporting Column)	0.208 m ³

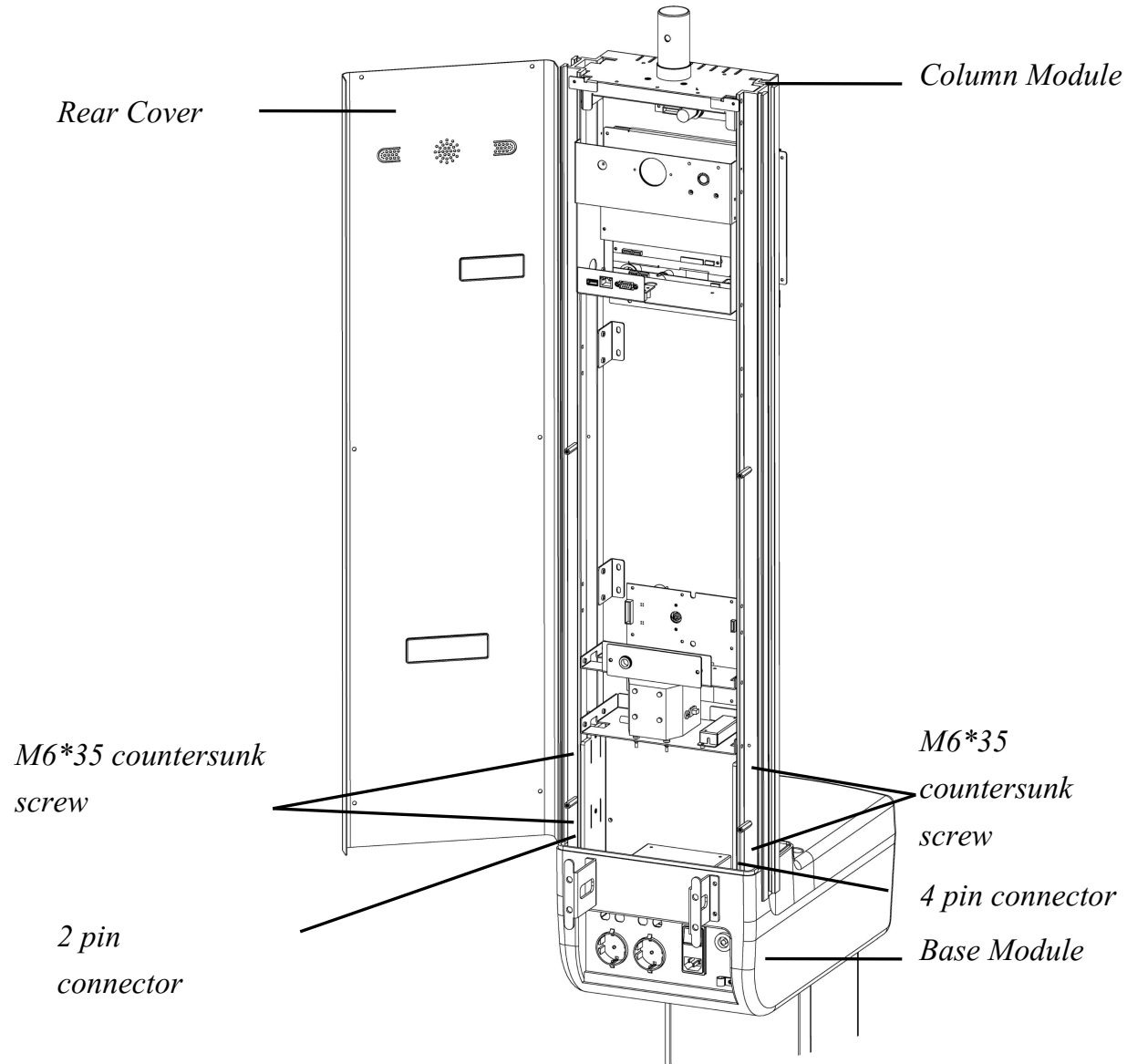
Ecosy930 Infant warmer

Assembling Instruction



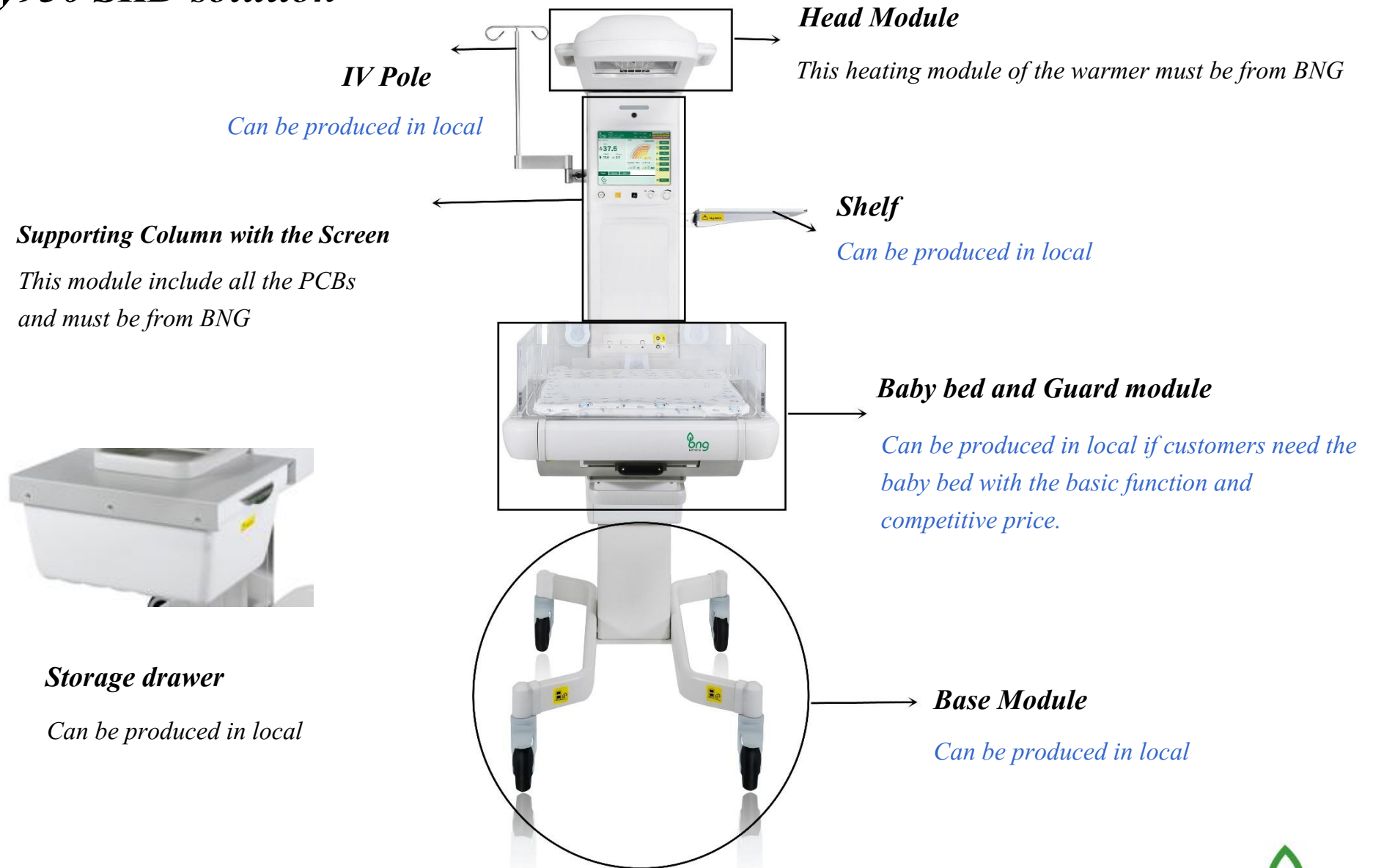
Ecosy930 Infant warmer

Assembling Instruction



Ecosy930 Infant warmer

Ecosy930 SKD solution



Ecosy930 Infant warmer

SERVICES

The BNG professional service team will response the customers within 24 hours.

more

ACCESSIBLE TO HUMANITY

Ecosy930 Infant warmer



Service Policies

For customers whose yearly purchase QTY is more than 50 units, BNG provides free spare parts stock.

Standard warranty time is 12 months. Customers have the opportunity to extend warranty time to totally 5 years. For more detailed information please inquire our sales person.

Ecosy930 Infant warmer



DISTRIBUTION

Products manufactured by BNG are sold through a combination of a direct sales force and worldwide distribution partners. Among the many benefits provided to our customers is the great combination of Sale, Service and Support.

[more](#)

ACCESSIBLE TO HUMANITY

Ecosy930 Infant warmer

BNG is trying to build a sales network with continental, regional and area distribution. The intention of introducing continental distributors is to reduce logistic cost for regional and area distributors.

Continental distributors' responsibilities and rights

*50 units
in stock*

*Extra
discount*

*Extra
profit*

*Extra
spare
parts*

Thank you!

MEDICAL

MEDICAL

MEDICAL

MEDICAL

MEDICAL

Health Care
Doctor
Hospital
Pharmacist
Nurse
Dentist
First Aid
Surgeon
Emergency

Health Care
Doctor
Hospital
Pharmacist
Nurse
Dentist
First Aid
Surgeon
Emergency

